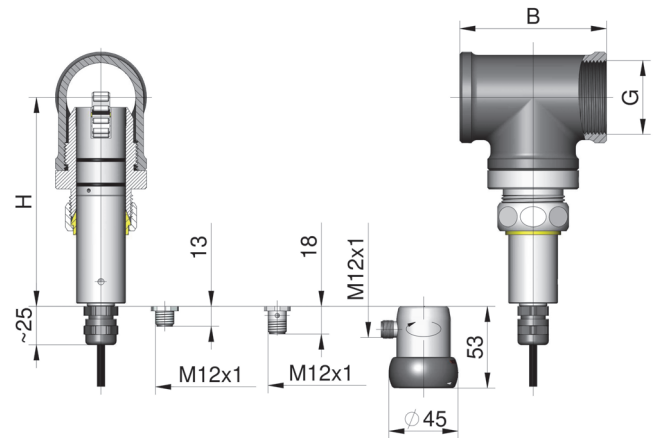


Product Information

TS32

T-pieces TS32

Dimensions and ordering code



Features

The T-pieces are intended for use with flow transmitters of the series RRI-032/RRH-032. The flow conditions in a T-piece are, by nature, less favourable than in a straight pipeline.

Several influential factors converge here:

- Expansion of the flow cross-section within the T-piece
- Undefined edges of pipe ends upstream and downstream from the measuring point
- Unknown inner diameter of connected pipelines
- Variable screw-in depth of connected pipelines

The flow pattern at the measuring point, therefore, is only conditionally predictable.

However, T-pieces can be used advantageously for applications with low requirements on reproducibility and stability:

- Available for metal pipelines with diameter DN32 or higher
- Installation is possible with ordinary tools (no boring or welding necessary).

Ordering code	Nominal size	G	B	H
TS32-032M	DN32	1 1/4"	90 mm	approx. 138 mm
TS32-040M	DN40	1 1/2"	108 mm	approx. 142 mm
TS32-050M	DN50	2"	122 mm	approx. 145 mm

Technical data

Nominal widths	DN32, DN40, DN50	
Wetted materials	Body	Cast iron (DN32) or Red bronze (DN40/DN50)
	Port	Brass nickel-plated
Compressive strength	PN10	